



EJECTO™

LIFTING AND MOORING SOLUTIONS



MultiDog Pull-In Connector - MC-6R

The Type Approved Pull-In Connector combines the best of the already field proven MultiDog lifting technology.

The MC-6R is designed as a lightweight pull-in and mooring connector that eliminates the need for an ROV during installation and subsequent subsea recovering and deployment operation, using only pre-laid grappling wire techniques. This may be used in connection with suction anchors or clump weights. Remote control from surface is possible.

The MultiDog Pull-in connector are remote operated and can be installed and un-installed using a pre-layed pullin wire without the use of an ROV.

The re-usable MultiDog Pull-in connector is configurable to suit the job requirements both for both safe lifting and pull-down operations.

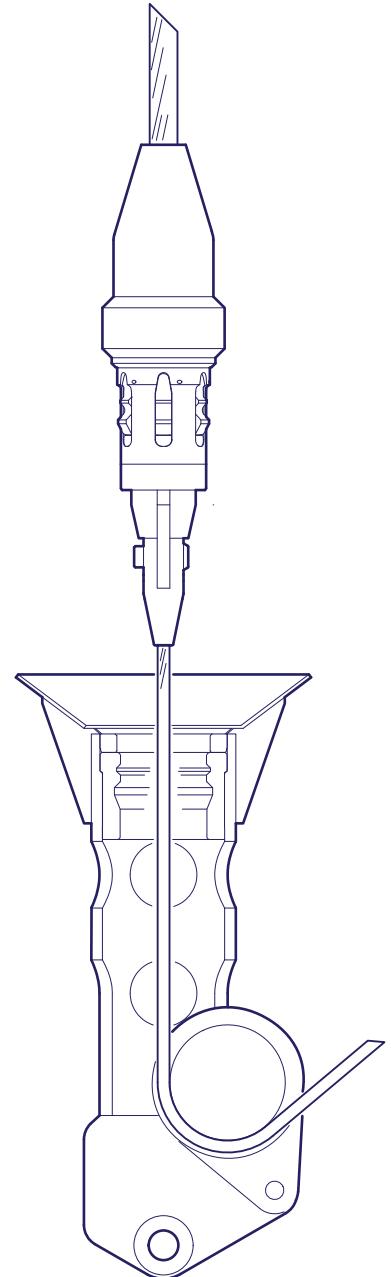
Fail-safe design ensures that the connector cannot be released under load.

Specification

Capacity: Certified according to Maskinforskriften nr 544
Capacity up to 600 ton MBL

Dimensions: Ø330mm x 1400mm
Material S165M

To be used together with FM-6R receptacle ring.



The field proven MultiDog connector combines state-of-the-art material technology with reusable rugged lightweight construction to save time and money during subsea installation and recovery operations