

MultiDog Receptacle Ring - FM-R

The MultiDog docking receptacles are a two-part system and may be fastened by threaded locking ring or welding.

The steel MultiDog receptacle adapters are simple pipe units configured to accept the receptacle ring. These can be delivered to suit the fastening requirements i.e welded, flange, custom or padeye design as FMR-3R.

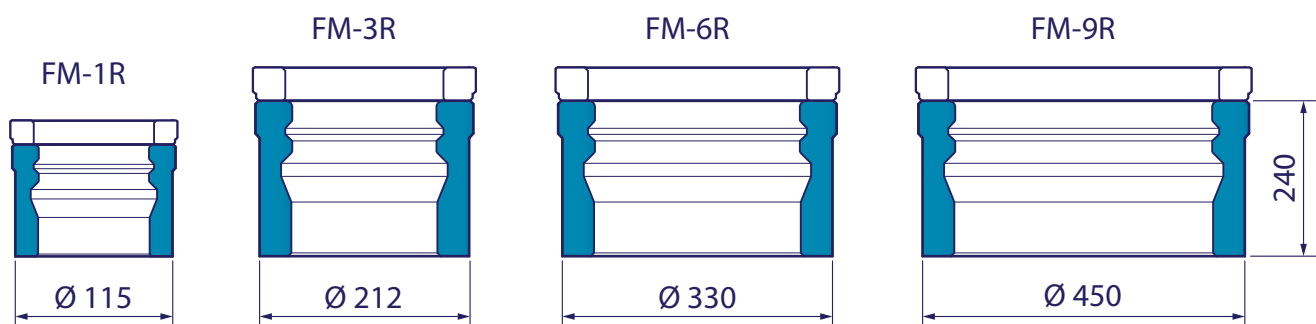
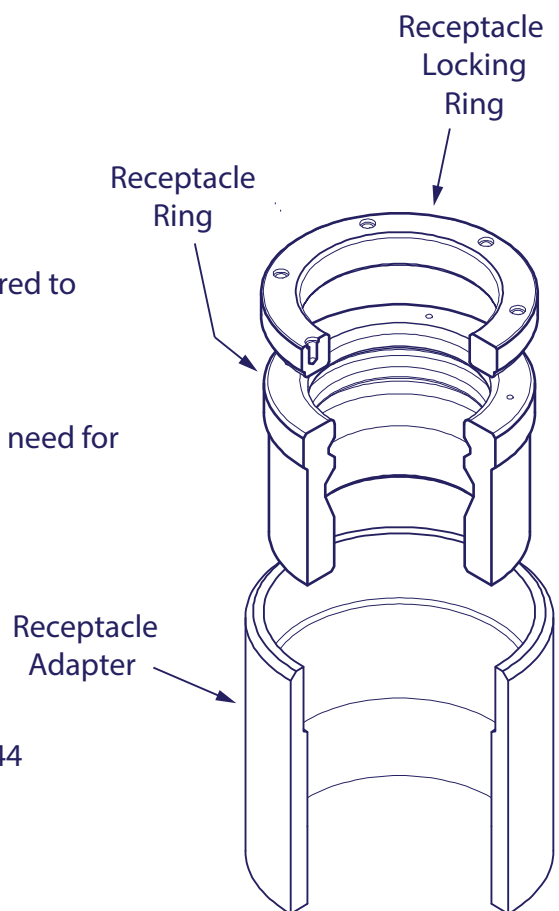
In the field the MultiDog receptacle ring is fitted without the need for welding.

Subsea replacement possible with ROV.

Specification

Capacity: Certified according to Maskinforakriften nr 544
Maximum capacity up to 1000 ton MBL

Dimensions: As dimensions below



The field proven MultiDog connector combines state-of-the-art material technology with reusable rugged lightweight construction to save time and money during subsea installation and recovery operations